

Technical data sheet



Product features

Cooking range combined with electric convection oven GN 1/1 - 4x burner

| | | |
|--------------|-----------------|----------|
| Model | SAP Code | 00002052 |
|--------------|-----------------|----------|

- Device type: Combined unit
- Power consumption of the zone 1 [kW]: 3,6
- Power consumption of the zone 2 [kW]: 3,6
- Power consumption of the zone 3 [kW]: 3
- Power consumption of the zone 4 [kW]: 3
- Type of internal part of the appliance 1 (eg oven): Electric
- Type of internal part of the appliance 2 (eg oven): Hot air
- Protection of controls: IPX4
- Material: AISI 304 top plate, AISI 430 cladding

| | | | |
|----------------------------|--------------------------------|---|----------|
| SAP Code | 00002052 | Power consumption of the zone 1 [kW] | 3,6 |
| Net Width [mm] | 658 | Power consumption of the zone 2 [kW] | 3,6 |
| Net Depth [mm] | 609 | Power consumption of the zone 3 [kW] | 3 |
| Net Height [mm] | 900 | Power consumption of the zone 4 [kW] | 3 |
| Net Weight [kg] | 65.00 | Type of internal part of the appliance 1 (eg oven) | Electric |
| Power electric [kW] | 3.130 | Type of internal part of the appliance 2 (eg oven) | Hot air |
| Loading | 230 V / 1N - 50 Hz | Width of internal part [mm] | 548 |
| Power gas [kW] | 13.200 | Depth of internal part [mm] | 360 |
| Type of gas | Natural gas, propane butane | Height of internal part [mm] | 338 |
| Number of zones | 4 | | |

Technical data sheet



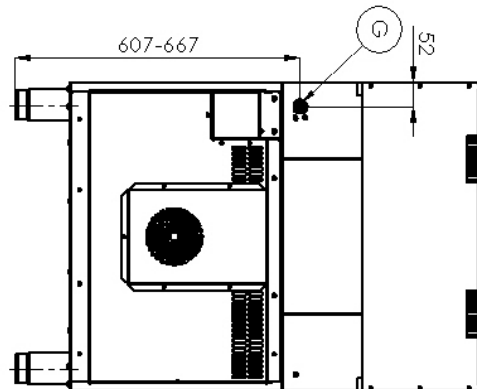
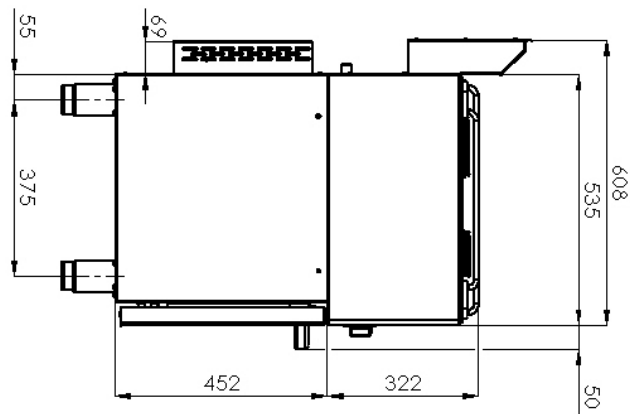
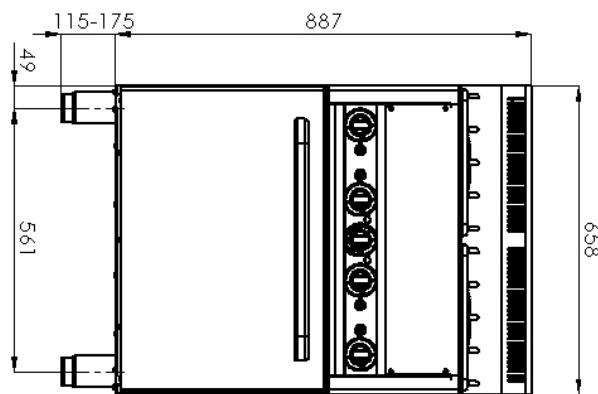
Technical drawing

Cooking range combined with electric convection oven GN 1/1 - 4x burner

Model

SAP Code

00002052



Technical data sheet



Product benefits

Cooking range combined with electric convection oven GN 1/1 - 4x burner

Model

SAP Code

00002052

1

Hygienic moldings of the top plate

absence of sharp corners and edges (potential places where dirt could stick)
smooth transitions

- easy quick cleaning

2

Hot air oven

hot air baking
high capacity and variability
all-stainless design

- suitable for meat, fish, baked pasta, white meat, sweet pastries
- long service life
- easy to clean

3

Degree of protection of the control elements IPX4

maintenance-free system
resistance to splash water
long life

- savings on service interventions
- greater job security for staff

4

All-stainless design

long life
resistance of a ground steel plate with a thickness of 10 mm

- savings on service interventions
- easy cleaning and maintenance of equipment

5

Safety element - thermocouple

safe service for staff
there is no unnecessary gas leakage
long life

- savings on service interventions
- easier and faster operation

Technical data sheet



Technical parameters

Cooking range combined with electric convection oven GN 1/1 - 4x burner

Model

SAP Code

00002052

1. SAP Code:

00002052

2. Net Width [mm]:

658

3. Net Depth [mm]:

609

4. Net Height [mm]:

900

5. Net Weight [kg]:

65.00

6. Gross Width [mm]:

705

7. Gross depth [mm]:

725

8. Gross Height [mm]:

1120

9. Gross Weight [kg]:

72.00

10. Device type:

Combined unit

11. Construction type of device:

With substructure

12. Power electric [kW]:

3.130

13. Loading:

230 V / 1N - 50 Hz

14. Power gas [kW]:

13.200

15. Type of gas:

Natural gas, propane butane

16. Protection of controls:

IPX4

17. Material:

AISI 304 top plate, AISI 430 cladding

18. Indicators:

running and heating the oven

19. Worktop material:

AISI 304

20. Worktop Thickness [mm]:

0.80

21. Number of zones:

4

22. Power consumption of the zone 1 [kW]:

3,6

23. Power consumption of the zone 2 [kW]:

3,6

24. Power consumption of the zone 3 [kW]:

3

25. Power consumption of the zone 4 [kW]:

3

26. Number of power control stages:

6

27. Safety thermostat up to x ° C:

360

28. Adjustable feet:

Yes

Technical data sheet



Technical parameters

Cooking range combined with electric convection oven GN 1/1 - 4x burner

Model

SAP Code

00002052

29. Number of burners/hot plates:

4

30. Type of gas cooking zones:

Powerfull

31. Oven Type:

electric hot air

32. Type of internal part of the appliance 1 (eg oven):

Electric

33. Type of internal part of the appliance 2 (eg oven):

Hot air

34. Width of internal part [mm]:

548

35. Depth of internal part [mm]:

360

36. Height of internal part [mm]:

338

37. Maximum temperature of the inner chamber [°C]:

300

38. Minimum temperature of the inner chamber [°C]:

50

39. Number of internal parts:

4